



AIRBRAVOTM EP

External Quadruple-Pantograph Suction Arms

Industry model

EP 420

EP 325

EP 316

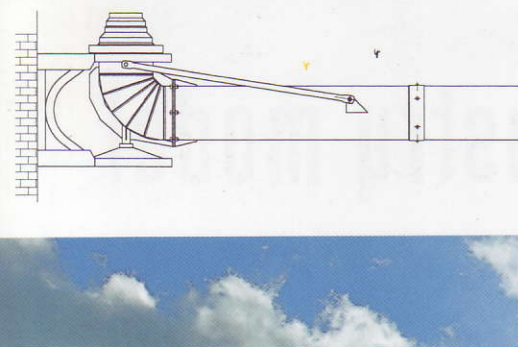
EP 213

"THE PROFESSIONAL ONE"

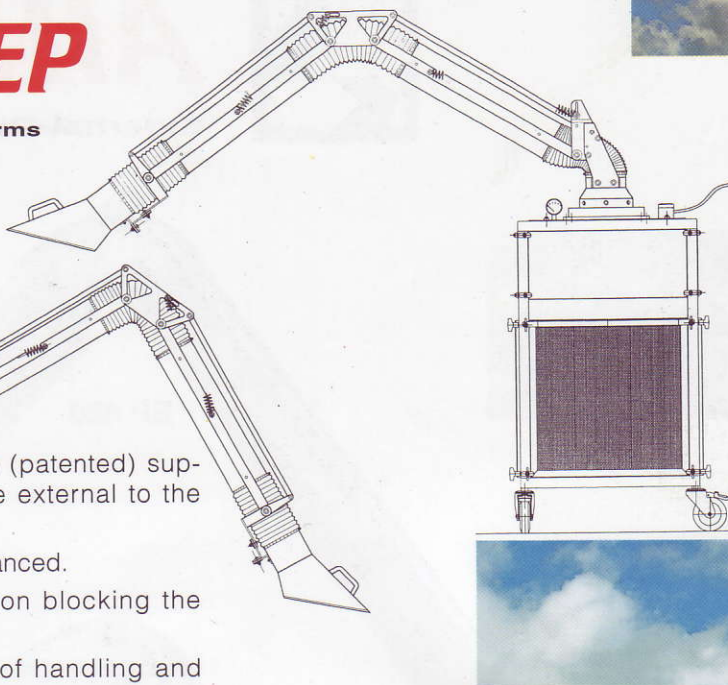
The **EP suction arm** is a self-supporting suction arm capable of removing smoke, odors, vapors, gases, dust and mist at the source, as well as any other pollutants originated in work-rooms. From the wide range of the AIRBRAVO Arms the EP is hereby submitted to the most exacting designers for applications in which a reliable, easy to handle and high quality product is required.

AIRBRAVO™ EP

External Quadruple-Pantograph Suction Arms



- Four-Pantograph (patented) supporting structure external to the suction arm.
- Totally spring balanced.
- No joint or friction blocking the intake flow.
- Maximum ease of handling and stability in time.



EP Industry Arms		
Model	Pipe Dia. (mm)	Straddle (m)
EP 213	125	2
EP 216	160	2
EP 220	200	2
EP 225	250	2
EP 312	125	3
EP 316	160	3
EP 320	200	3
EP 325	250	3
EP 412	125	4
EP 416	160	4
EP 420	200	4

MODELS

The AIRBRAVO EP suction arms are available in the Industry and the Laboratory versions (see specific Catalogue). In the Industry series, the arms are available in models featuring pipe diameters of 125, 160, 200 and 250mm. and 2, 3, and 4 meters of nominal straddle, or even 8 m. if an EPB series Jib Extension is used (See specific Catalogue).

- Versions for high temperatures (300°C).

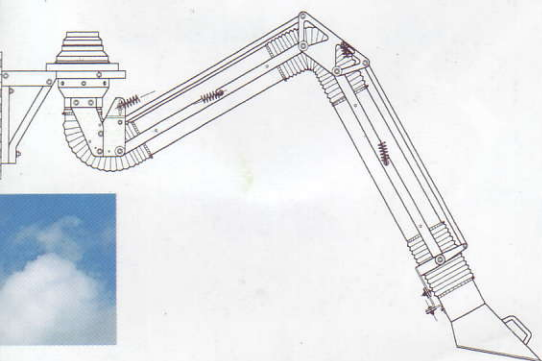
STRUCTURAL SPECIFICATIONS

The exhaust rigid pipes are supported by a structural aluminum quadruple-pantograph structure. Balancing is provided by 4 or more steel spring and 18 or more special charged polymer friction points with washers and self-locking nuts. The rigid pipes and the truncated cone-shaped with elliptic base suction hood are made of galvanized and kiln-enameled steel plate. The flexible hoses are vacuum values of 1.6 kPa (at a temperature of 20°C). The basis rests onto autolubricant plastic matter washers, and can rotate over 360°. The arm can be easily transformed from the hanging to the trolley-mounted versions by the user himself.

ACCESSORIES AND SPECIAL VERSIONS

A wide range of accessories and special version arms are available in order to make the EP suction arms suitable for many different requirements.

- Stainless steel versions;
- Polypropylene (PP) versions;
- Anti-spark Eex-d versions;
- Versions for the food industry;
- Versions for medium temperatures (200°C);



SUCTION UNITS

Suction Units equipped according to specifications as in the table below are also available. They include the arm, the bracket, and the exhauster with a pressure of 1.7kPa. Units featuring different pressure values or made of different materials are also available on request.

Unit	Cod.	EPM SUCTION UNITS										
		EPM072	EPM073	EPM074	EPM122	EPM123	EPM124	EPM202	EPM203	EPM204	EPM302	EPM303
Flowrate	(m³/h)	750			1250			2000			3000	
Exhauster	Cod.	JM070			JM120			JM200			JM300	
Motor	(kW)	0,55			0,73			1,5			2,2	
Bracket	Cod.	EPA 050			EPA 050			EPA 050			EPA 050	
Arm	Cod.	EP213	EP312	EP412	EP216	EP316	EP416	EP220	EP320	EP420	EP225	EP325
Straddle	(m)	2	3	4	2	3	4	2	3	4	2	3
Pipe Dia.	(mm)	125	125	125	160	160	160	200	200	200	250	250



AIRBRAVO S.r.l.
Occupational Air Pollution Control

AIRBRAVO FRANCE
ZA LA TUILERIE
F-71640 DRACY LE FORT (FRANCE)
Tel. +33-(0)3-85981540 - Fax +33-(0)3-85981545